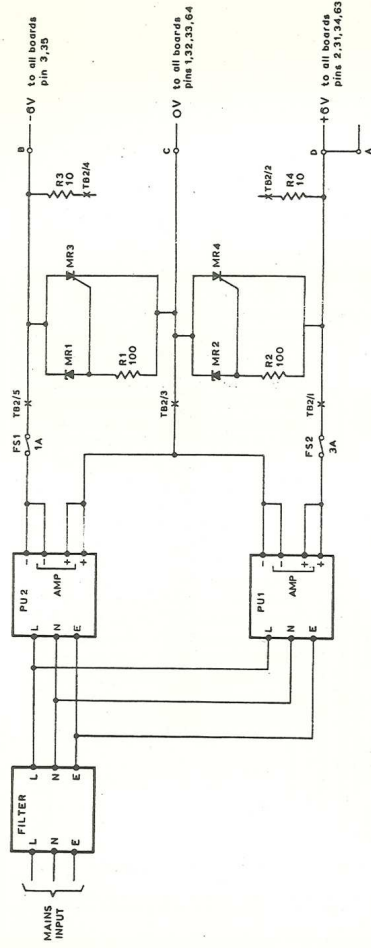


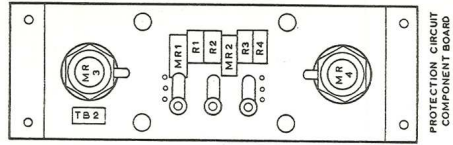
CHANNELS	BOARDS
2	1 -13
4	1 -13,14,15
6	1 -13,14,15,16,17,18
8	1 -13,14,15,16,17,18,19,20

REAR

FRONT

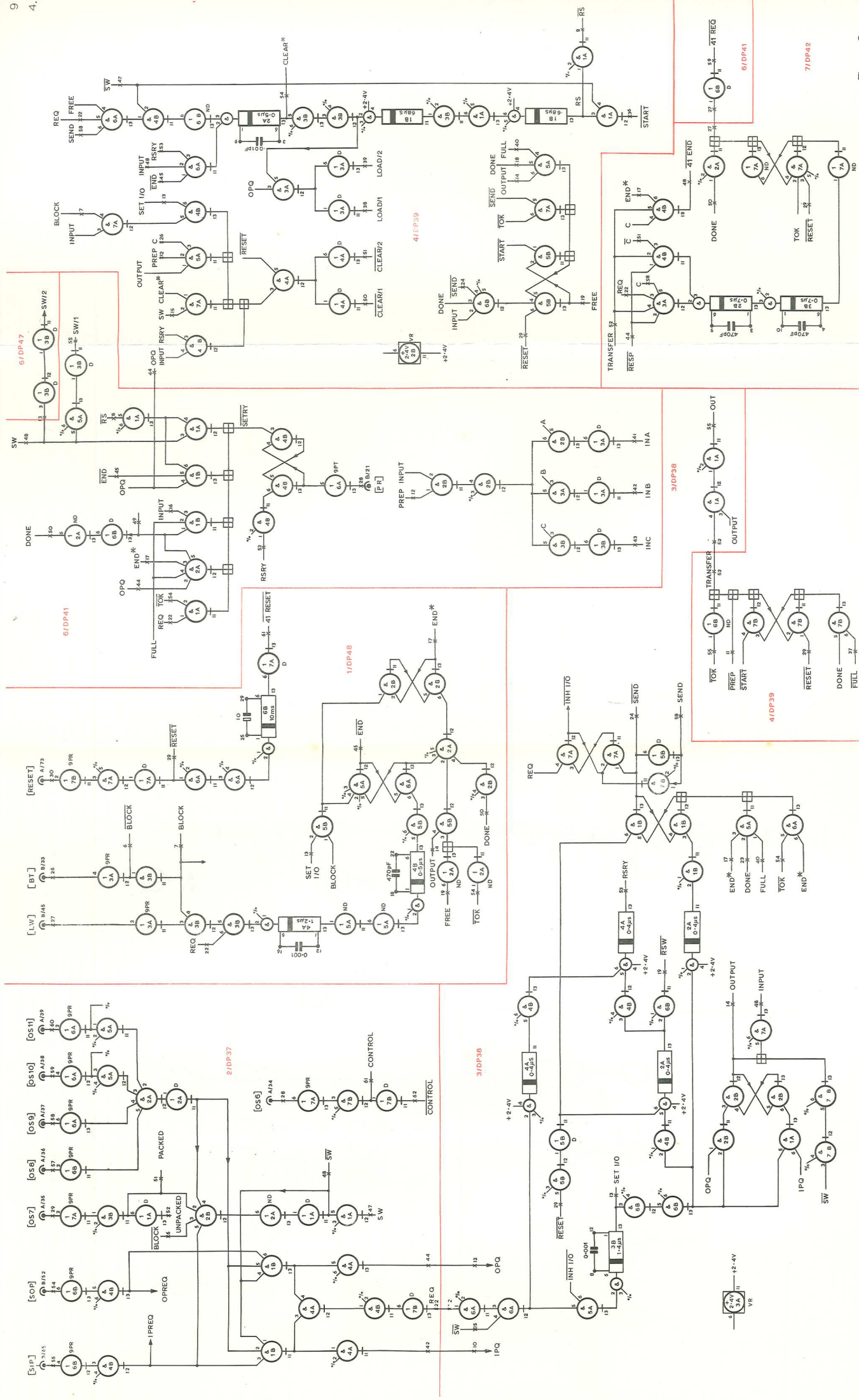


COMP	VALUE	TOL ±%	CAT No.
R1, 2	100		5662
R3, 4	10		9823
MR1, 2	ZENER DIODE 2569		
MR3, 4	CONTROL RECTIFIERS 11221		
FS1	1A		4287
FS2	3A		815
Fuseholder			622
Filter	1 phase 2.5 Amp		75381
PU1, 2	Power Supply EV100		11258



PROTECTION CIRCUIT  
COMPONENT BOARD

Figure 2 (Issue 2)

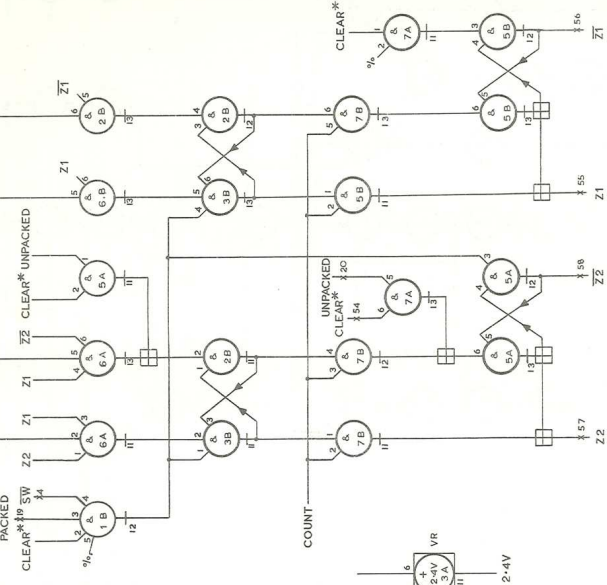
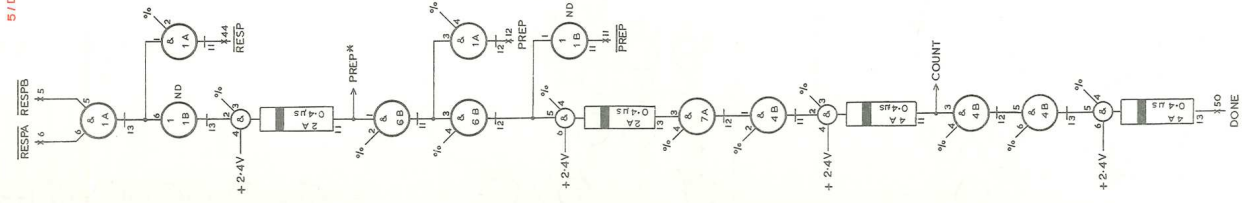


CONTROL LOGIC

Figure 3

900  
4:33

61DP40



61DP41

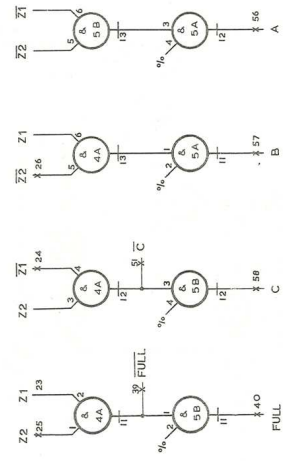


Figure 4 (ISSUE 2)

CONTROL COUNTER

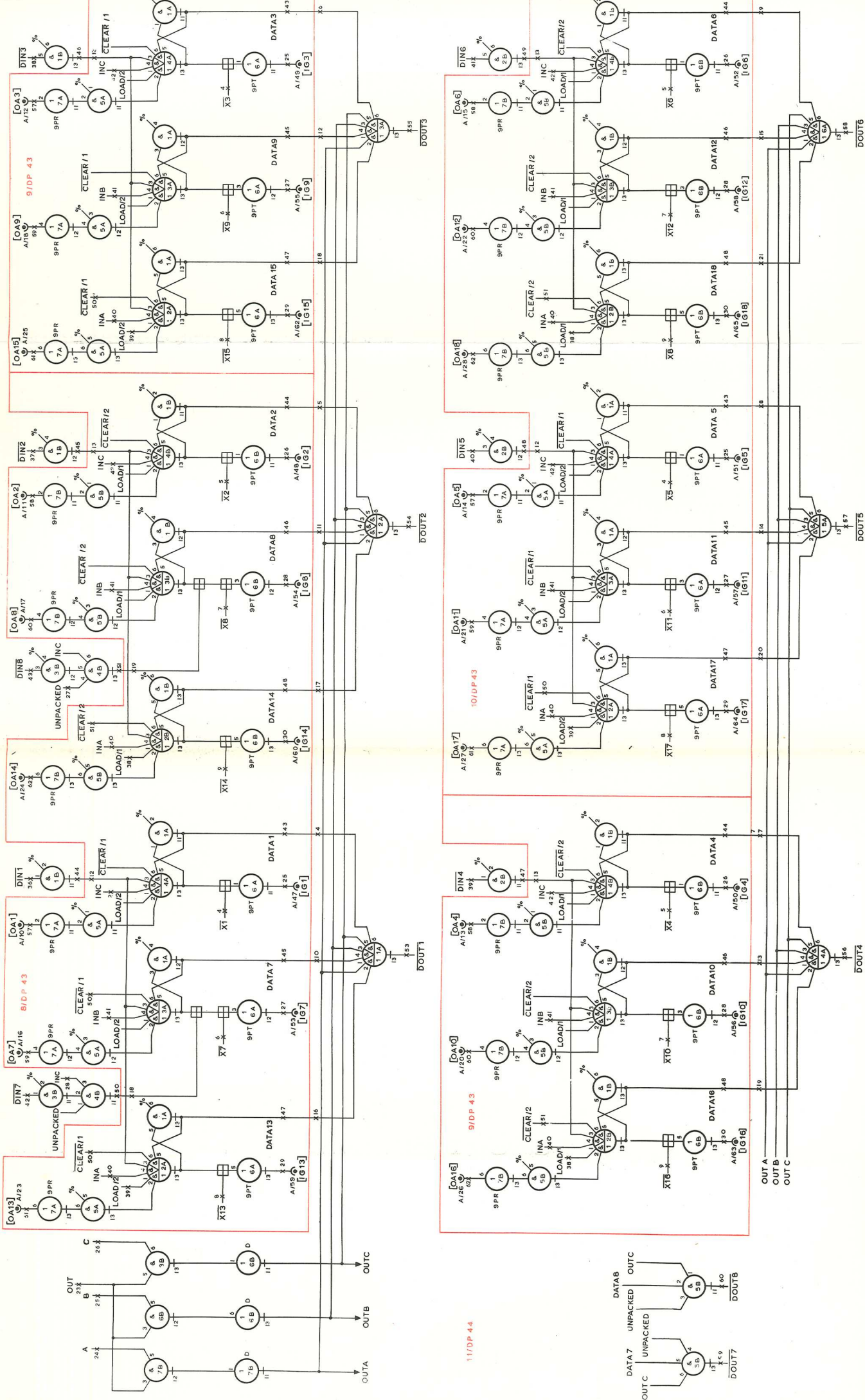
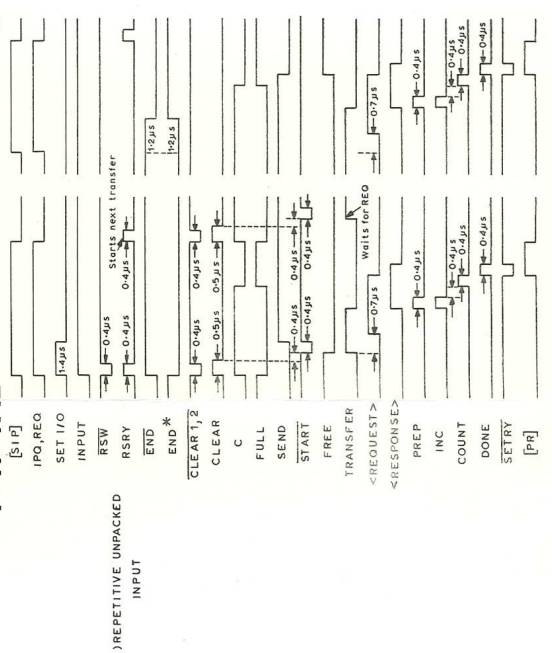
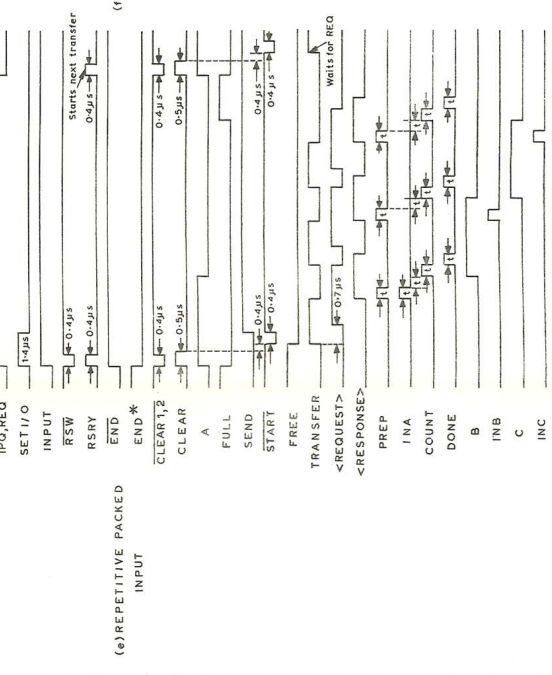
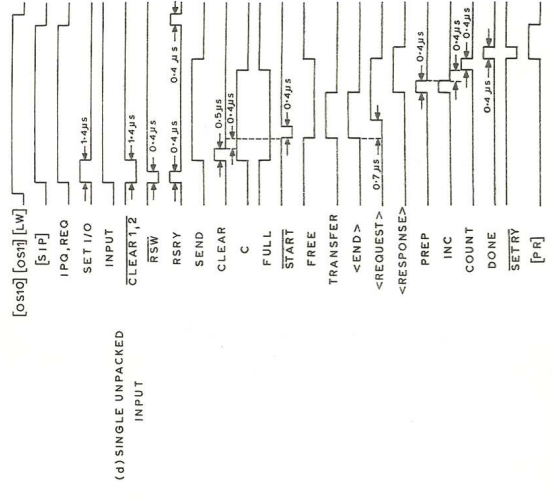
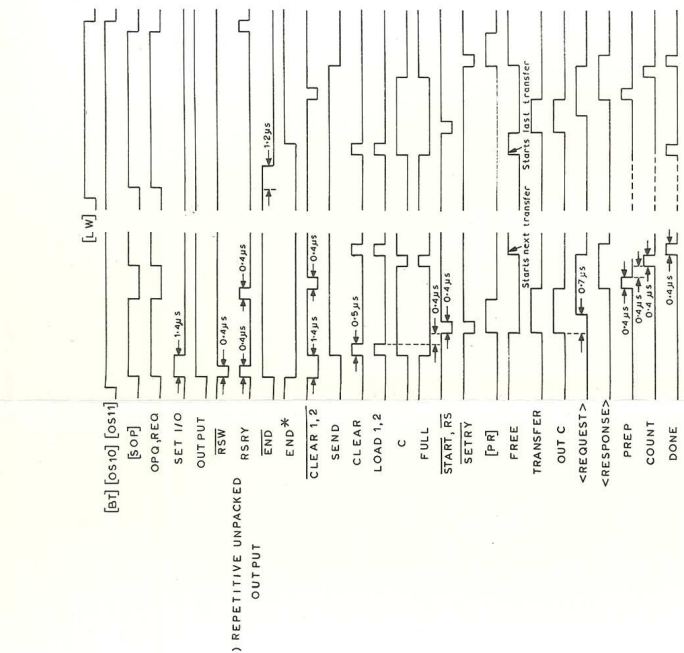
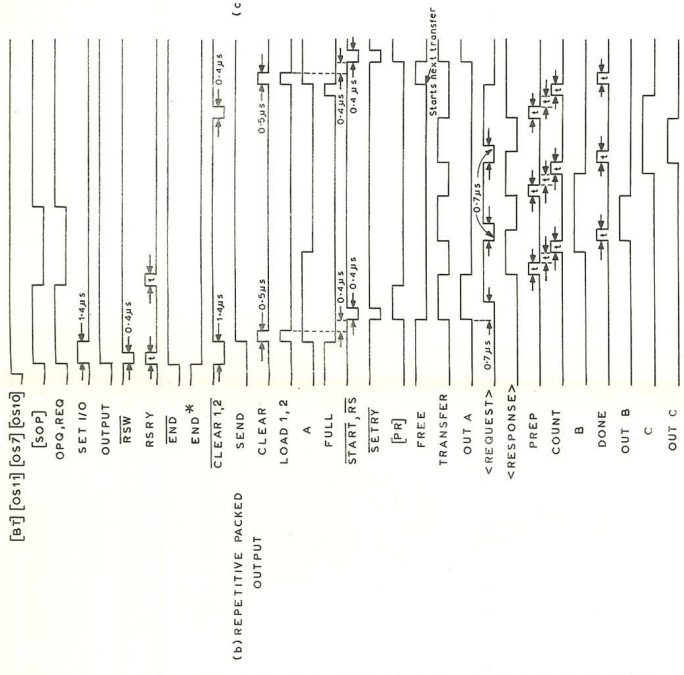
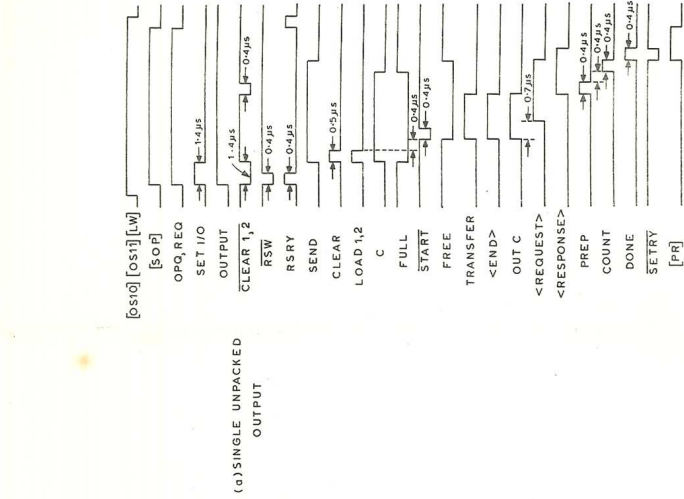
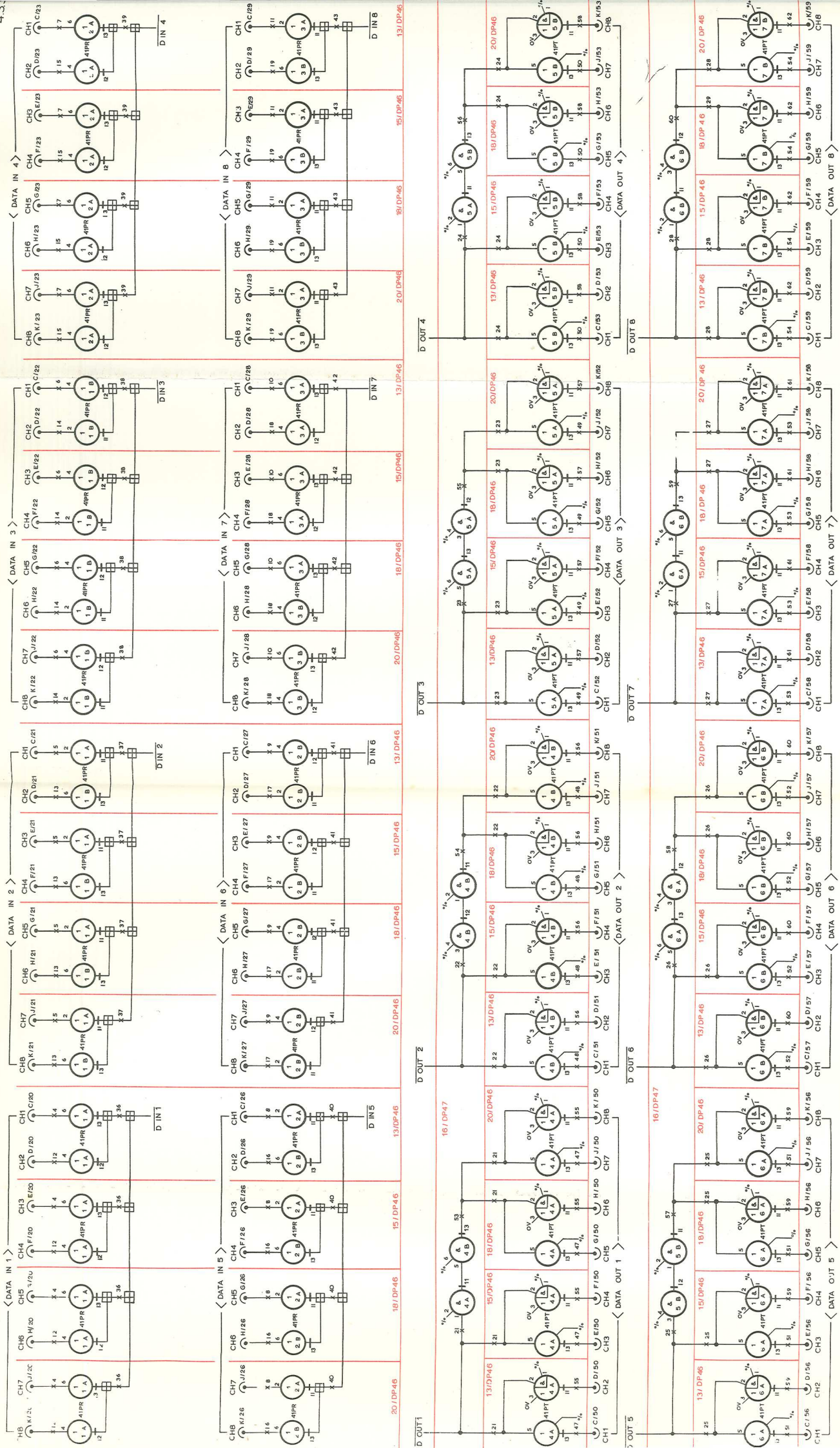


Figure 5

SHIFT REGISTER

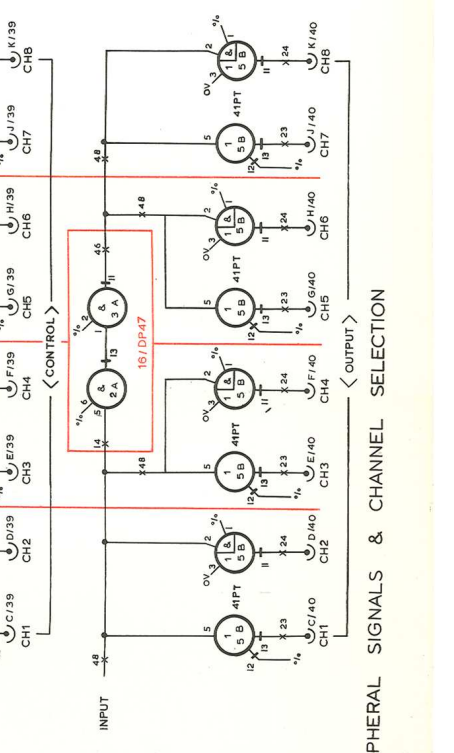
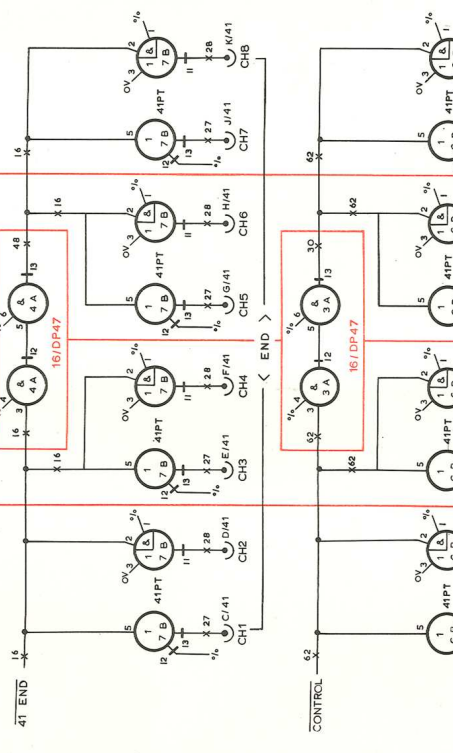
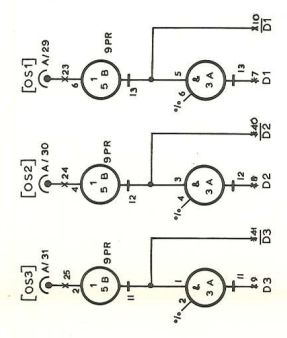
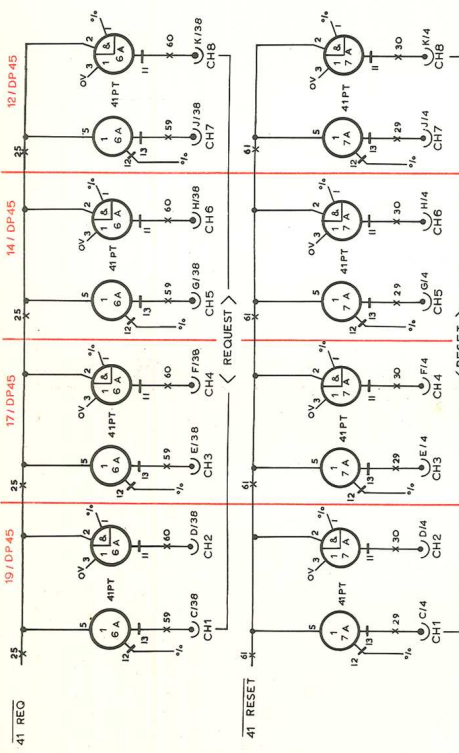
(ISSUE 2)



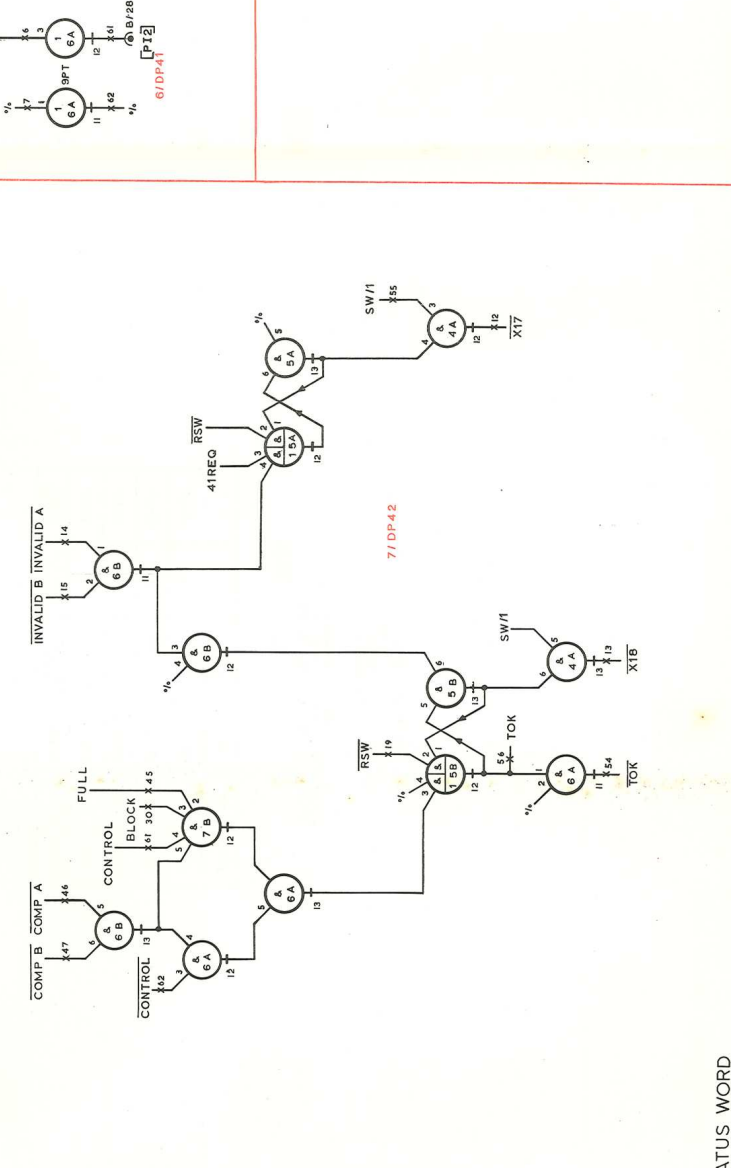
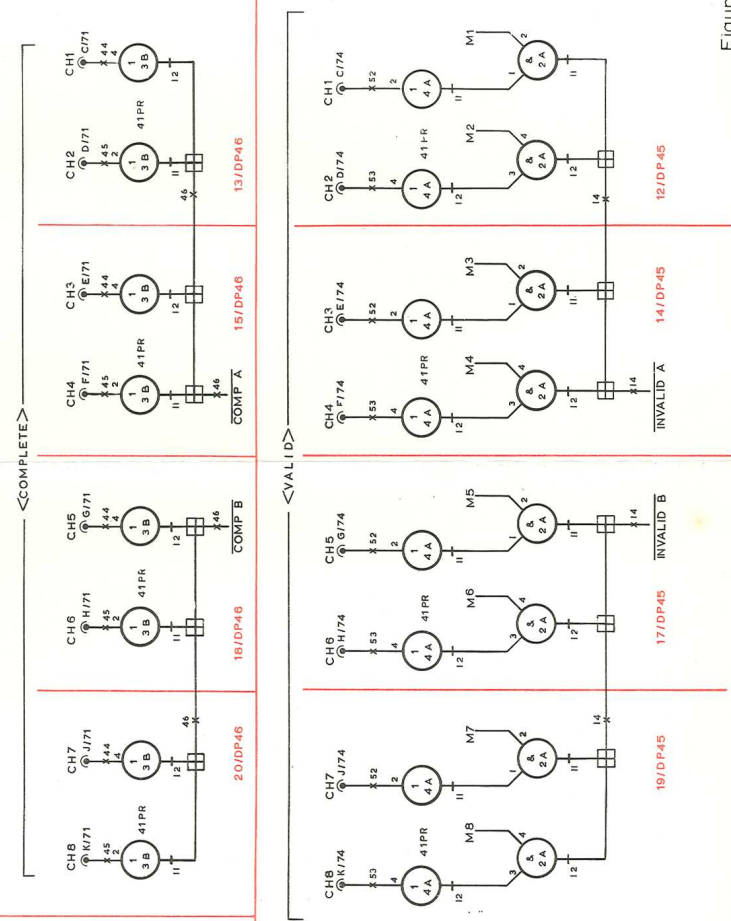
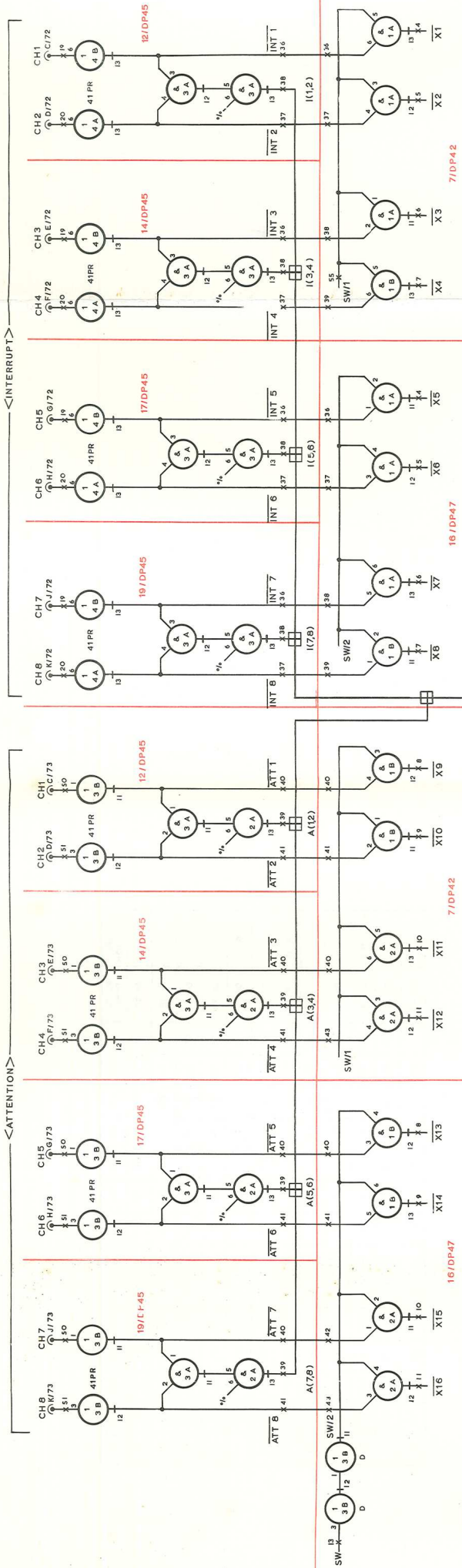


DATA TRANSMITTERS AND RECEIVERS.

Figure 7 (ISSUE 2)







BOARD POSITION	BOARD TYPE	1A	2A	3A	4A	5A	6A	7A	1B	2B	3B	4B	5B	6B	7B
2	DP 37	15	03	01	01	12	02	03	01	12	02	03	01	12	15
3	DP 38	01	40	08	40	02	01	01	01	01	38	01	15	01	01
4	DP 39	01	38	15	15	02	02	01	37	08	01	01	02	03	01
5	DP 40	01	40	08	40	01	02	01	03	01	02	01	01	01	01
6	DP 41	01	03	15	01	11	02	01	02	01	15	01	01	15	
7	DP 42	01	01	03	01	06	01	03	01	38	38	02	06	01	03
8, 9, 10	DP 43	01	05	05	05	01	11	12	01	05	05	05	01	11	12
11	DP 44	05	05	05	05	05	05	05	01	01	01	02	02	15	15
12, 14, 17, 19	DP 45	01	01	120	121	121	121	121	03	120	120	120	121	121	121
13, 15, 18, 20	DP 46	120	120	120	121	121	121	121	120	120	120	120	121	121	121
16	DP 47	01	01	01	01	01	01	01	01	15	01	01	01	01	01
1	DP 48		03	12	38	03	01	15		01	01	38	01	38	12

BOARD TYPE	BOARD POSITION	G AREA PAD LOCATION	VALUE	TOL ± %	CAT No.
DP 38	3	8/12	0-001	5	7917
DP 39	4	3/9	470pF	5	7916
DP 42	7	3/9, 4/10	470pF	5	7916
DP 48	1	12/16 18/22 28/29	0-001 470pF 10	5 5 20	7917 7916 9137

- NOTES:
1. On all boards decoupling capacitors C1, C2 and C3 are 10µF ± 20%, Catalogue No. 9137.
  2. D.C. Supplies to all boards  
 - SV pins 2, 31, 34, 63  
 - SV pins 3, 39  
 OV pins 1, 32, 33, 64